

Plastic Pull-Through Seals

Dual Lock



The Dual Lock is a robust multi-purpose pull-through seal featuring a large paddle with duplicate numbering and mid-point tearline. The tear-off flag can be kept with paperwork for improved audit trail. The Duallock also features an optional label-holder.



Technical Specifications

Material: Polypropylene

Tensile Strength: 38kgF

Dimensions: 300.16x37.24mm / Printable area: 24.5x20mm

Customisation Options: Text, logos, numbering

Applications: Clinical waste, cash bags & boxes, roll cages. Any application where an audit trail is of key importance.

Available Colours: 

Industries

Gov't & Finance

Food & Drink

Retail

Logistics

Hospital & Clinical

Manufacturing

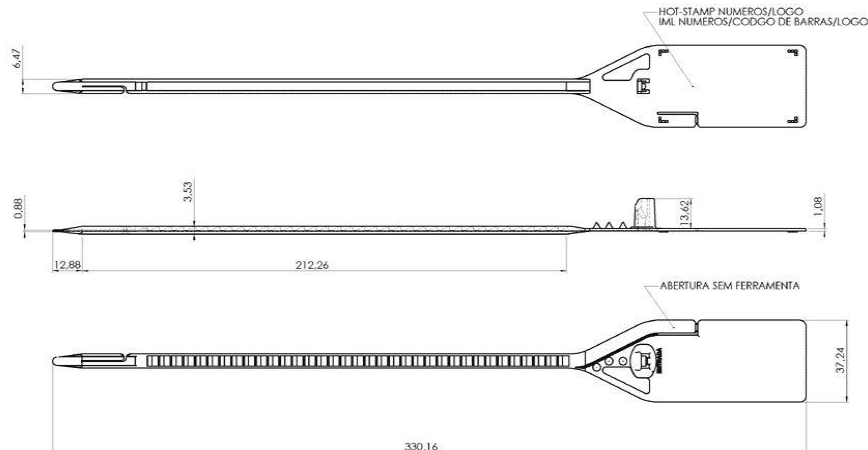
Packaging Specifications

Quantity: 1000

Weight: 9kg

Dimensions: 48x43x43cm

Technical Drawing



Universal (UK) Ltd.

Unit 9 Portal Business Park, Eaton Lane, Tarporley, CW6 9DL

tel: 01829 760000 / e-mail: sales@universeal.co.uk

